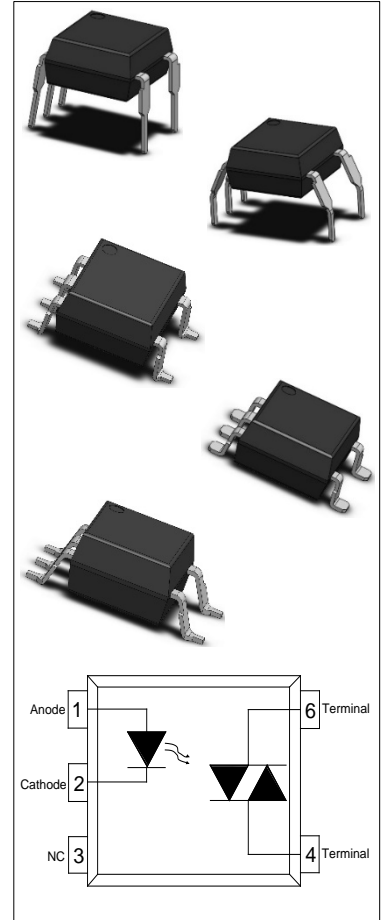


JOC301XD5 Series

Rev.A.1.1

DESCRIPTION:

The JOC301XD5 series combine an AlGaAs infrared emitting diode as the emitter which is optically coupled to a monolithic silicon random-phase photo triac in a plastic DIP5 package with different lead forming options. With the robust coplanar double mold structure, JOC301XD5 series provide the most stable isolation feature. The products are widely used in solenoid/valve controls, lighting controls, motor controls, temperature controls, static AC power switches, solid state relays, interfacing microprocessors up to 120 V_{AC} peripherals.



MAIN FEATURES

- High isolation 5000 VRMS
- DC input with random-phase photo triac output
- Operating temperature range -55 °C to 100 °C
- REACH & RoHS compliance
- HBM: H3A ; MM: M4
- CQC approved
- VDE approved
- UL approved

ABSOLUTE MAXIMUM RATINGS (Temperature=25°C)

Parameter		Symbol	Value	Unit
Input	Forward Current	I_F	60	mA
	Reverse Voltage	V_R	6	V
	Junction Temperature	T_j	125	°C
	Input Power Dissipation	P_I	100	mW
	Power Dissipation Derating ($T_a \geq 25^\circ\text{C}$)	$\Delta P_D/^\circ\text{C}$	-1.33	mW/°C
Output	Off-state Output Terminal Voltage	V_{OFF}	250	V
	Peak On-state Current (100µs pulse, 120 pps)	I_{TP}	2	A
	On-state RMS Current	$I_{T(RMS)}$	100	mA
	Peak Repetitive Surge Current ($P_W=10$ ms)	I_{TSM}	1	A

	Junction Temperature	T_j	125	$^{\circ}\text{C}$
	Output Power Dissipation	P_o	250	mW
	Power Dissipation Derating ($T_a \geq 25^{\circ}\text{C}$)	$\Delta P_D/^{\circ}\text{C}$	-3.33	mW/ $^{\circ}\text{C}$
Total Power Dissipation		P_{tot}	350	mW
Isolation Voltage		V_{iso}	5000 ^①	V _{rms}
Operating Temperature		T_{opr}	-55~100	$^{\circ}\text{C}$
Storage Temperature		T_{stg}	-55~125	$^{\circ}\text{C}$
Soldering Temperature		T_{sol}	260 ^②	$^{\circ}\text{C}$

NOTE1: AC for 1minute, R.H.=40~60%

NOTE2: For 10 seconds

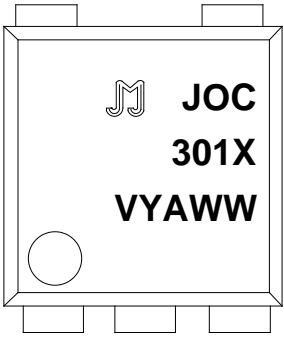
ELECTRICAL CHARACTERISTICS (Temperature=25 $^{\circ}\text{C}$)

Parameter		Symbol	Condition	Min.	Typ.	Max.	Unit	
Input	Forward Voltage	V_F	$I_F=10\text{mA}$	-	1.24	1.4	V	
	Reverse Current	I_R	$V_R=6\text{V}$	-	-	1	μA	
	Input Capacitance	C_{in}	$V=0, f=1\text{kHz}$	-	10	-	pF	
Output	Peak Off-state Current, Either Direction	I_{OFF}	$V_{\text{OFF}}=250\text{V}, I_F=0$	-	-	100 ^③	nA	
	Peak On-state Voltage, Either Direction	V_{TM}	$I_{\text{TM}}=100\text{mA}$	-	1.8	2.5	V	
	Critical Rate of Rise of Off-state voltage	dV/dt	$V_{\text{PEAK}}=250\text{V}, I_F=0$	1000 ^④	-	-	V/ μs	
Transfer Characteristics	LED Trigger Current	JOC3010D5	Terminal Voltage=3V $I_{\text{TM}}=100\text{mA}$	-	-	15	mA	
		JOC3011D5		-	-	10		
		JOC3012D5		-	-	5		
	Holding Current		I_H	$I_{\text{TM}}=2\text{mA}, I_F=\text{Rated } I_{\text{FT}}$	-	250	-	μA
	Isolation Resistance		R_{ISO}	DC500V 40~60%R.H.	10^{12}	10^{14}	-	Ω
	Floating Capacitance		C_{IO}	$V=0, f=1\text{MHz}$	-	5	-	pF
	Response Time		t_{on}	$V_D=6\text{V}, R_L=100\Omega, I_F=20\text{mA}$	-	15	50	μs

NOTE3: Test voltage must be applied within dV/dt ratings.

NOTE4: Refer to Fig.14 & Fig.15

ORDERING AND MARKING INFORMATION

MARKING INFORMATION			
		<p>JOC : Company Abbr. 301X : Part Number & Rank VYAWW : LOT NO.</p>	
ORDERING INFORMATION			
JOC301XD5(Y)(Z)-GV			
<p>JOC – Company Abbr. 301X – Part Number (0/1/2) D5 – DIP5 Package Y – Lead Form Option (M/S/SL/SLM/None) Z – Tape and Reel Option (T1) G – Green Option (G or None) V – VDE Option (V or None)</p>			
Packing Quantity			
Option	Quantity	Quantity – Inner box	Quantity –Outer box
None/M	65 Units/Tube	32 Tubes/Inner box	10 Inner box/Outer box =20.8k Units
S(T1)	1000 Units/Reel	3 Reels/Inner box	5 Inner box/Outer box =15k Units
SL(T1)	1000 Units/Reel	3 Reels/Inner box	5 Inner box/Outer box =15k Units
SLM(T1)	1000 Units/Reel	2 Reels/Inner box	5 Inner box/Outer box =10k Units

Characteristics Curves

FIG.1: Forward Current vs. Ambient Temperature

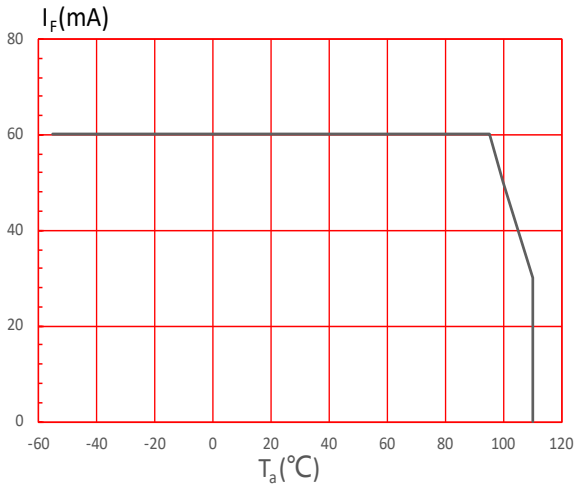


FIG.2: On-state Terminal Current vs. Ambient Temperature

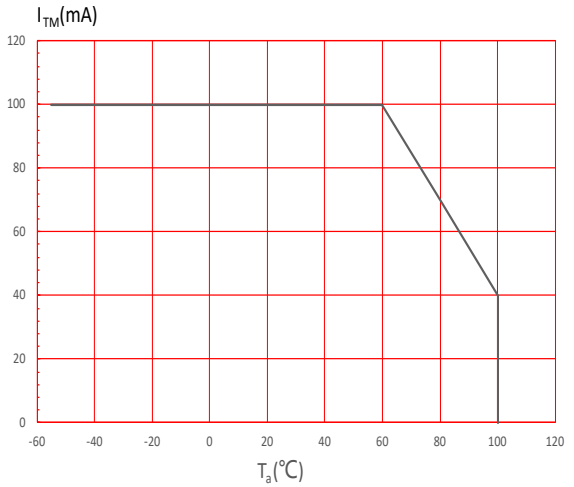


FIG.3: Forward Current vs. Forward Voltage

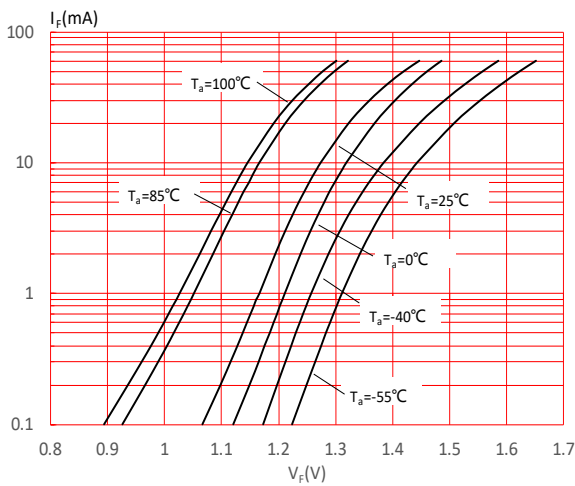


FIG.4: Normalized Off-state Terminal Current vs. Ambient Temperature

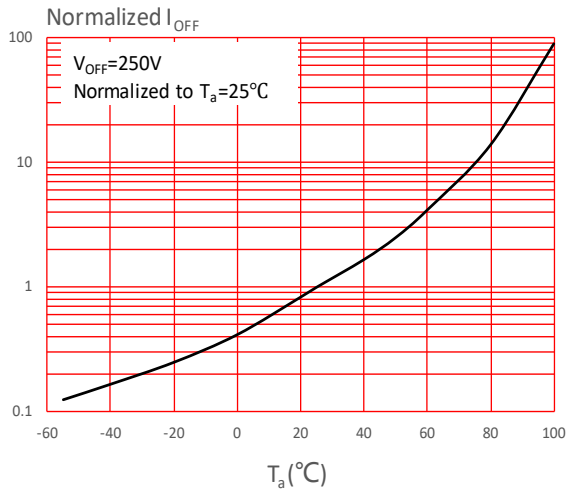


FIG.5: Normalized Off-state Terminal Voltage vs. Ambient Temperature

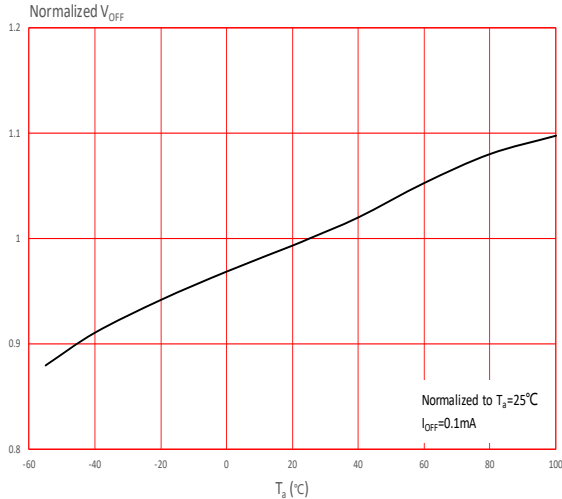


FIG.6: Normalized Trigger Current vs. Ambient Temperature

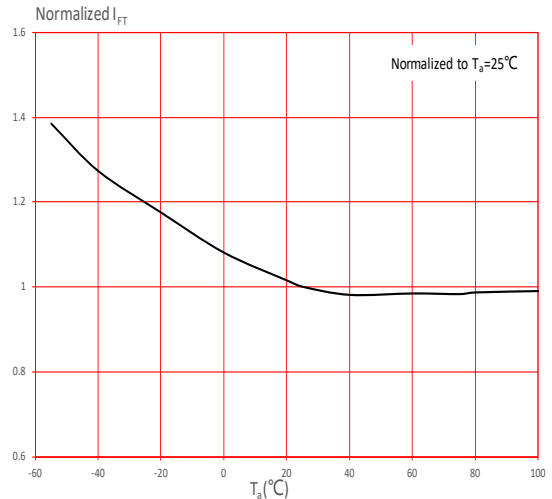


FIG.7: Normalized On-state Terminal Voltage vs. Ambient Temperature

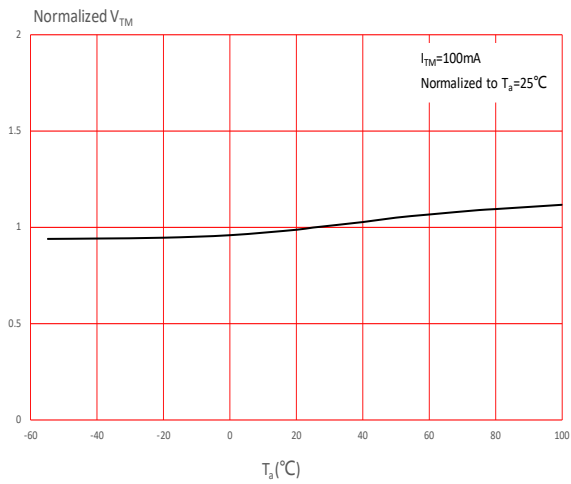


FIG.8: On-state Terminal Voltage vs. On-state Terminal Current

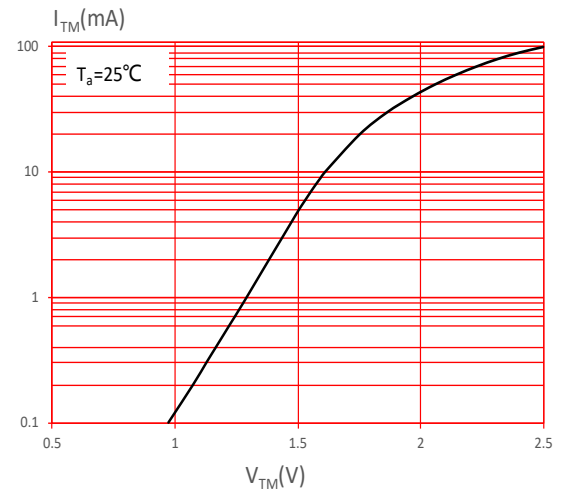


FIG.9: Normalized Holding Current vs. Ambient Temperature

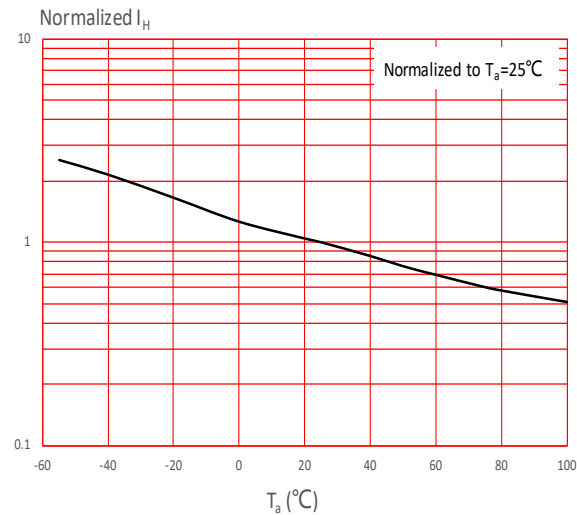


FIG.10: Turn On Time vs. Forward Current

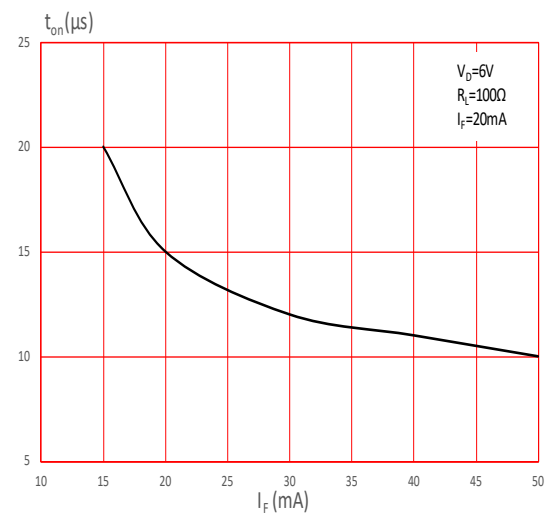
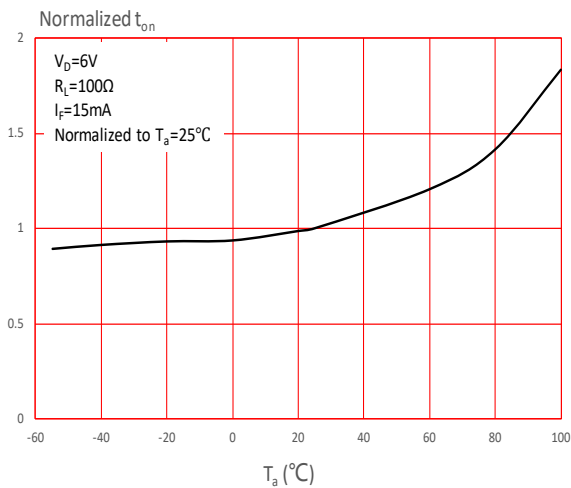


FIG.11: Normalized Turn On Time vs. Ambient Temperature



TEST CIRCUITS

FIG.12: Test Circuits of Turn On Time

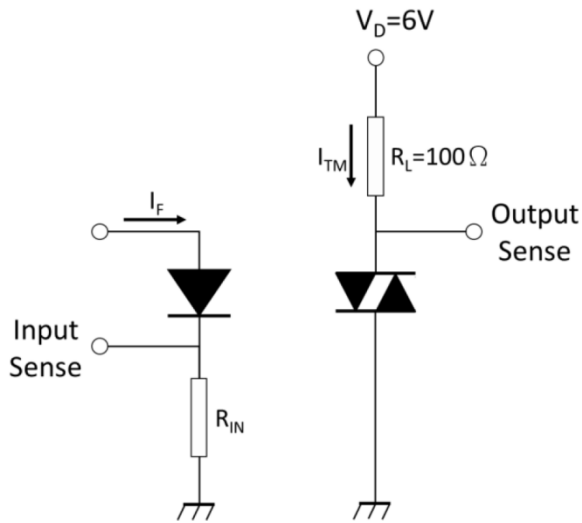


FIG.13: Waveforms of Turn On Time

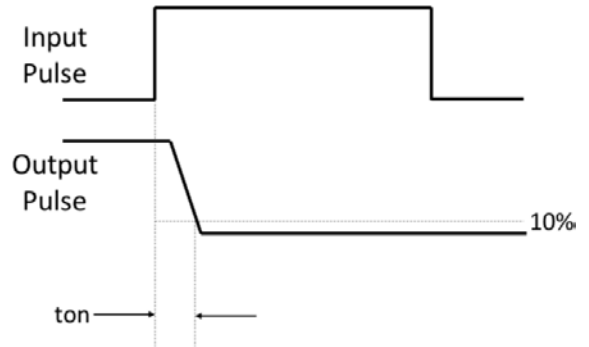


Fig.14: Test Circuits of dV/dt

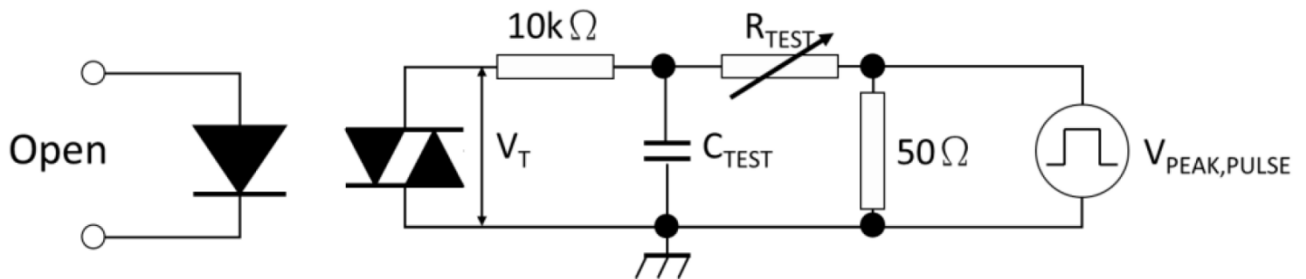
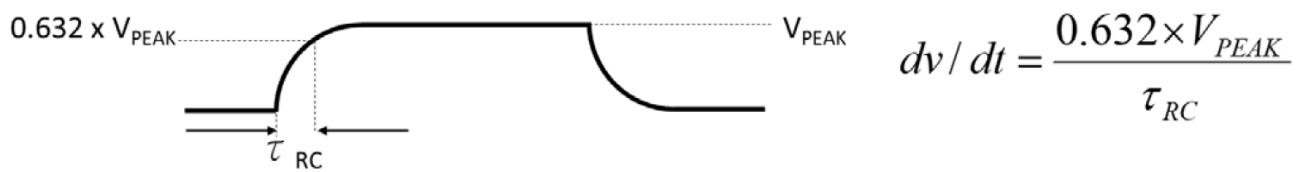
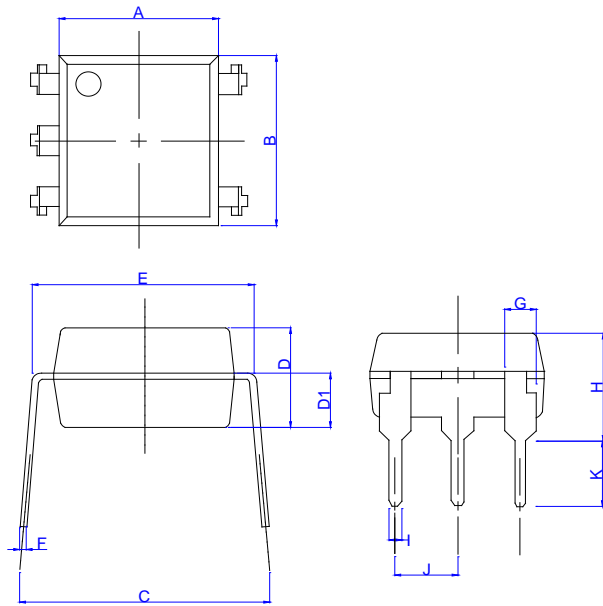


Fig.15: Waveforms of dV/dt



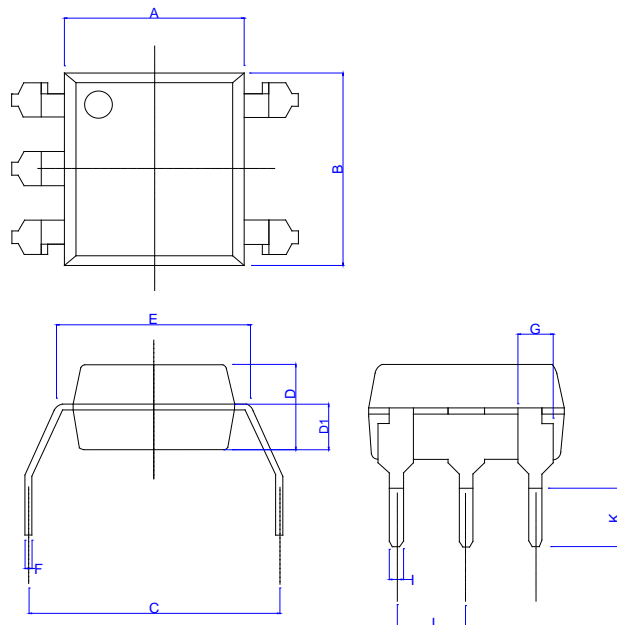
Package Dimension (Unit: mm)

Standard DIP Type:



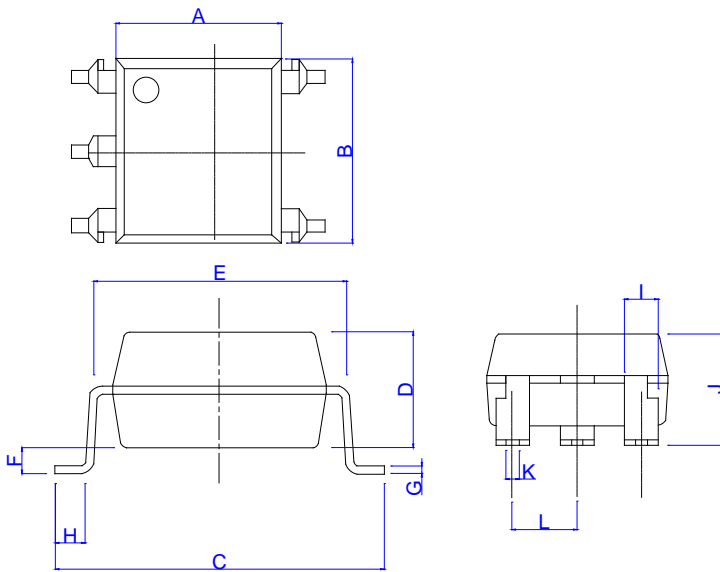
Ref.	Dimensions					
	Millimeters			Inches		
	Min.	Typ.	Max.	Min.	Typ.	Max.
A	6.00		7.00	0.237		0.277
B	6.62		7.62	0.262		0.301
C	7.62		10.16	0.301		0.402
D	3.00		4.00	0.119		0.158
D1	1.55		1.95	0.061		0.077
E	7.32		7.92	0.289		0.313
F	0.16		0.36	0.006		0.014
G	0.90		1.50	0.036		0.059
H	3.50		4.50	0.138		0.178
I	0.40		0.60	0.016		0.024
J	2.29		2.79	0.091		0.110
K	2.40		3.40	0.095		0.134

Option M Type:



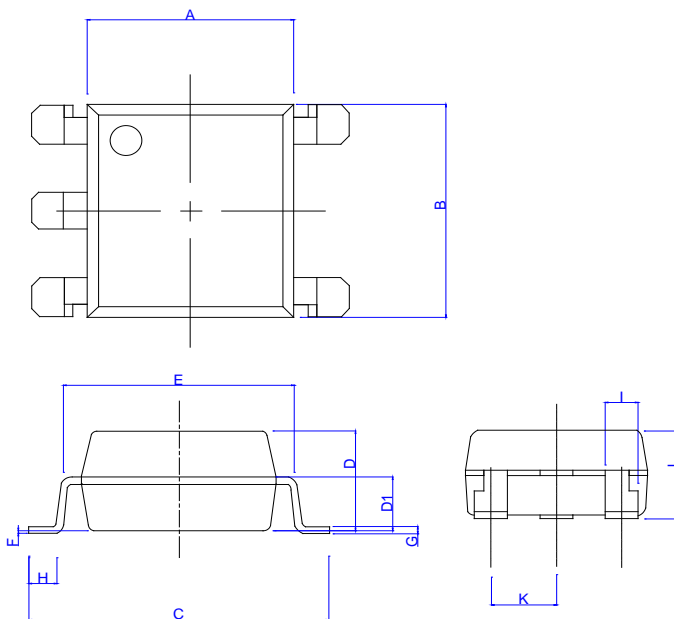
Ref.	Dimensions					
	Millimeters			Inches		
	Min.	Typ.	Max.	Min.	Typ.	Max.
A	6.00		7.00	0.237		0.277
B	6.82		7.42	0.270		0.293
C	9.66		10.66	0.382		0.421
D	3.00		4.00	0.119		0.158
D1	1.55		1.95	0.061		0.077
E	7.32		7.92	0.289		0.313
F	0.16		0.36	0.006		0.014
G	0.90		1.50	0.036		0.059
I	0.40		0.60	0.016		0.024
J	2.29		2.79	0.091		0.110
K	2.50			0.099		

Option S Type:



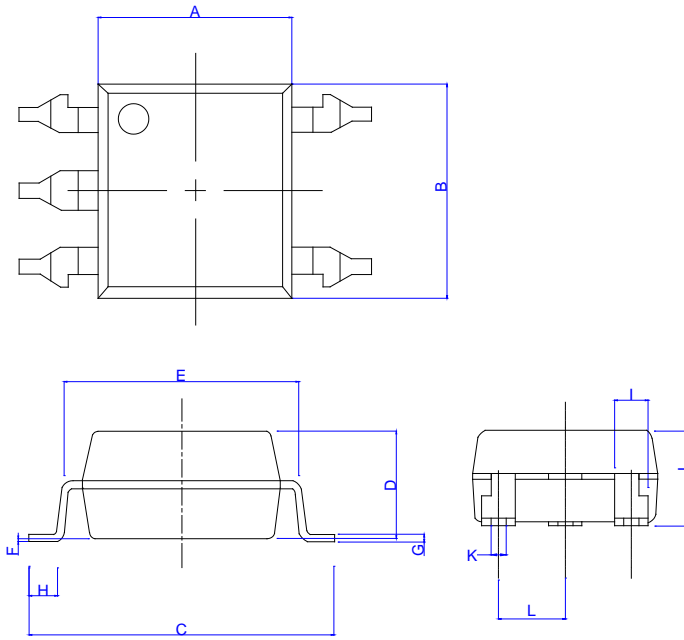
Ref.	Dimensions					
	Millimeters			Inches		
	Min.	Typ.	Max.	Min.	Typ.	Max.
A	6.30		6.70	0.249		0.265
B	6.92		7.32	0.274		0.289
C	9.85		10.45	0.389		0.413
D	3.30		3.70	0.130		0.146
E	7.32		7.92	0.289		0.313
F		0.80			0.032	
G		0.25			0.010	
H		0.80			0.032	
I	1.20		1.40	0.047		0.055
J	4.00		4.60	0.158		0.182
K		0.50			0.020	
L		2.54			0.100	

Option SL Type:



Ref.	Dimensions					
	Millimeters			Inches		
	Min.	Typ.	Max.	Min.	Typ.	Max.
A	6.00		7.00	0.237		0.277
B	6.62		7.62	0.262		0.301
C	9.50		10.00	0.375		0.395
D	3.00		4.00	0.119		0.158
D1	1.55		1.95	0.061		0.077
E	7.32		7.92	0.289		0.313
F	0.10		0.65	0.004		0.026
G	0.16		0.36	0.006		0.014
H	1.00		1.40	0.047		0.055
I	0.90		1.50	0.036		0.059
J	3.35		4.35	0.132		0.172
K	2.29		2.79	0.091		0.110

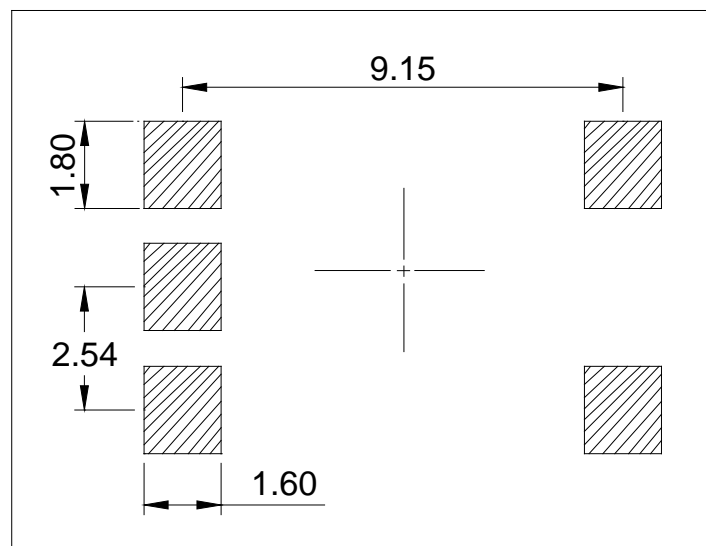
Option SLM Type:



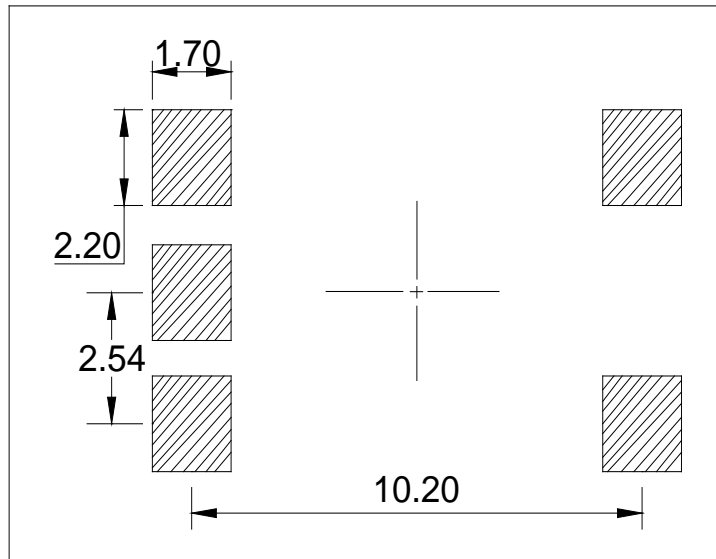
Ref.	Dimensions					
	Millimeters			Inches		
	Min.	Typ.	Max.	Min.	Typ.	Max.
A	6.30		6.70	0.248		0.264
B	6.92		7.32	0.272		0.288
C	11.60		12.10	0.457		0.476
D	3.30		3.70	0.130		0.146
E	7.32		7.92	0.288		0.312
F	0.00		0.30	0.000		0.012
G	0.20		0.30	0.008		0.012
H	0.50		0.90	0.020		0.035
I	1.10		1.30	0.043		0.051
J	3.45		3.85	0.136		0.152
K	0.45		0.55	0.018		0.022
L	2.34		2.74	0.092		0.108

RECOMMENDED SOLDER MASK (Dimensions in mm unless otherwise stated)

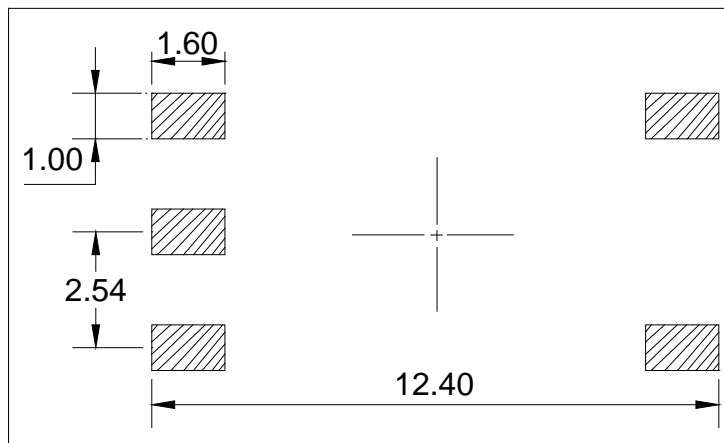
Option S



Option SL

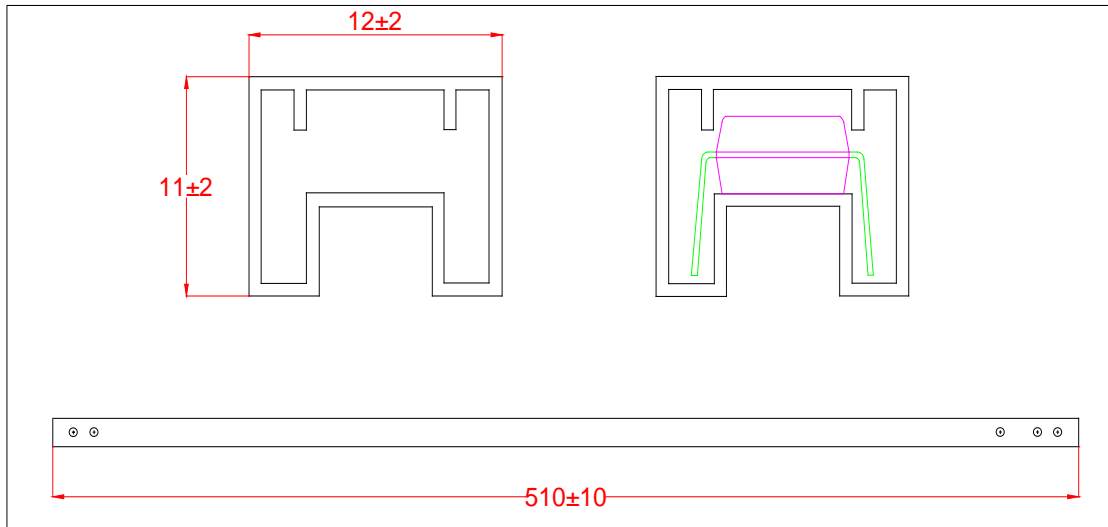


Option SLM

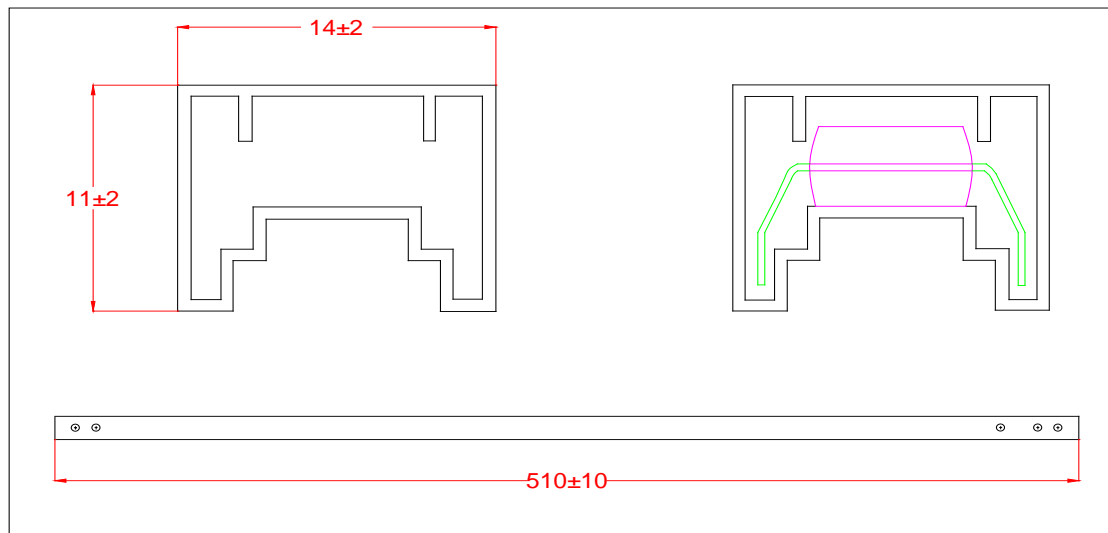


TUBE SPECIFICATIONS (Dimensions in mm unless otherwise stated)

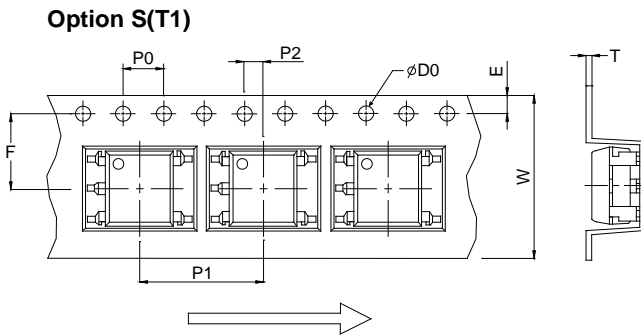
Standard DIP



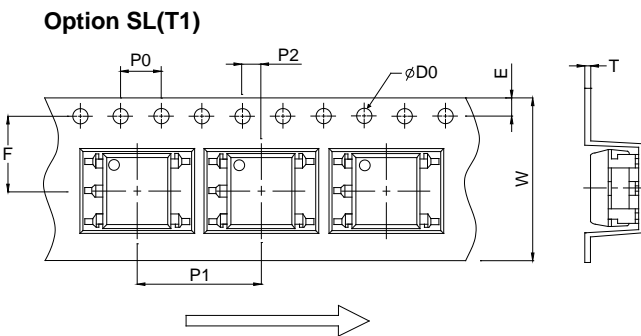
Option M



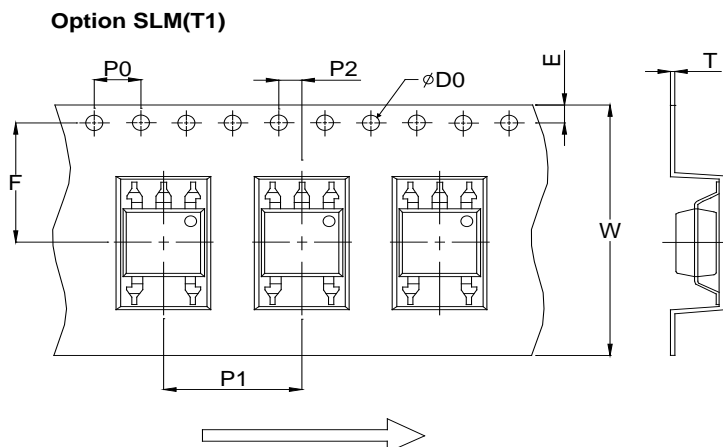
CARRIER TAPE SPECIFICATIONS (Dimensions in mm unless otherwise stated)



Ref.	Dimensions					
	Millimeters			Inches		
	Min.	Typ.	Max.	Min.	Typ.	Max.
D0		1.50	1.65		0.059	0.065
P0	3.90	4.00	4.10	0.154	0.157	0.161
P1	11.90	12.00	12.10	0.469	0.472	0.476
P2	1.90	2.00	2.10	0.075	0.079	0.083
E	1.65	1.75	1.85	0.065	0.069	0.073
F	7.40	7.50	7.60	0.291	0.295	0.299
T	0.25	0.35	0.45	0.010	0.014	0.018
W	15.70	16.00	16.30	0.618	0.630	0.642

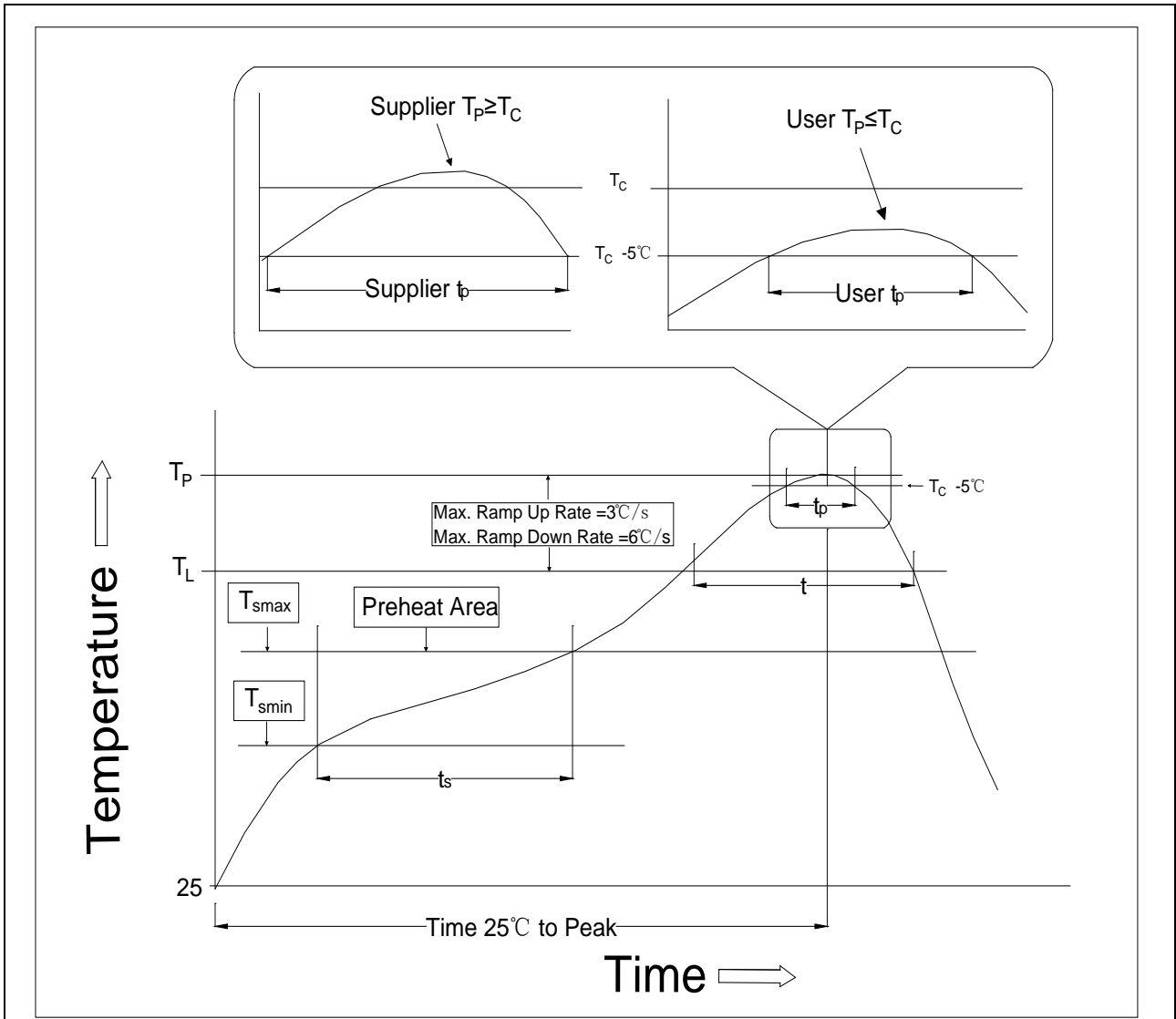


Ref.	Dimensions					
	Millimeters			Inches		
	Min.	Typ.	Max.	Min.	Typ.	Max.
D0		1.50	1.60		0.059	0.063
P0	3.90	4.00	4.10	0.154	0.157	0.161
P1	11.90	12.00	12.10	0.469	0.472	0.476
P2	1.90	2.00	2.10	0.075	0.079	0.083
E	1.65	1.75	1.85	0.065	0.069	0.073
F	7.40	7.50	7.60	0.291	0.295	0.299
T	0.35	0.40	0.45	0.014	0.016	0.018
W	15.70	16.00	16.30	0.618	0.630	0.642



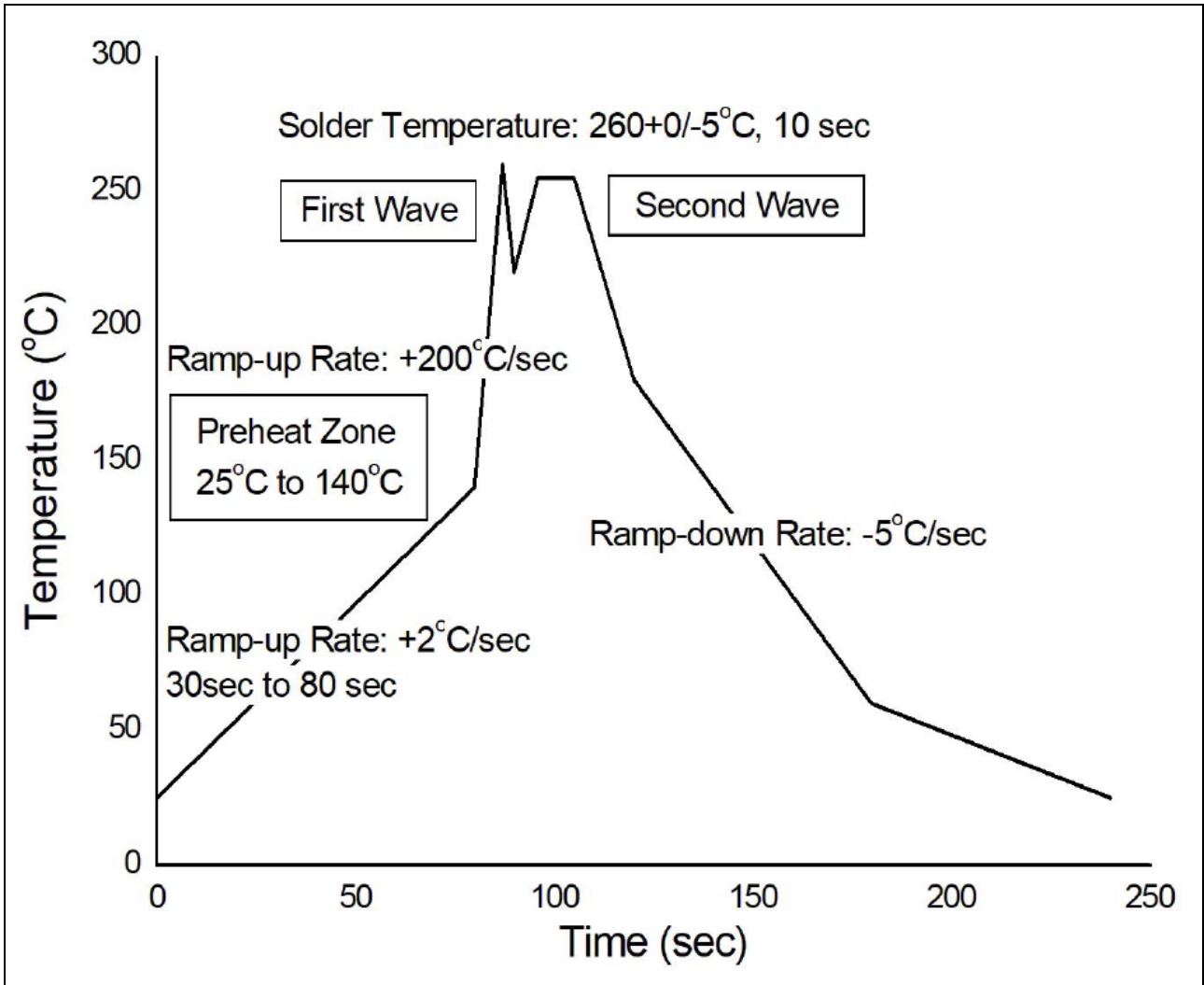
Ref.	Dimensions					
	Millimeters			Inches		
	Min.	Typ.	Max.	Min.	Typ.	Max.
D0		1.50	1.60		0.059	0.063
P0	3.90	4.00	4.10	0.154	0.157	0.161
P1	11.90	12.00	12.10	0.469	0.472	0.476
P2	1.90	2.00	2.10	0.075	0.079	0.083
E	1.65	1.75	1.85	0.065	0.069	0.073
F	11.45	11.50	11.55	0.451	0.453	0.455
T	0.35	0.40	0.45	0.014	0.016	0.018
W	23.70	24.00	24.30	0.933	0.945	0.957

REFLOW INFORMATION



Profile Feature	Sn-Pb Assembly Profile	Pb-Free Assembly Profile
Temperature Min. (T _{smin})	100	150°C
Temperature Max. (T _{smax})	150	200°C
Time (t _s) from (T _{smin} to T _{smax})	60-120 seconds	60-120 seconds
Ramp-up Rate (t _L to t _P)	3°C/second max.	3°C/second max.
Liquidus Temperature (T _L)	183°C	217°C
Time (t _L) Maintained Above (T _L)	60-150 seconds	60-150 seconds
Peak Body Package Temperature	235°C+0°C/-5°C	260°C+0°C/-5°C
Time (t _P) within 5°C of 260°C	20 seconds	30 seconds
Ramp-down Rate (T _P to T _L)	6°C/second max.	6°C/second max.
Time 25°C to Peak Temperature	6 minutes max.	8 minutes max.

WAVE SOLDERING



HAND SOLDERING BY SOLDERING IRON


Soldering Temperature	360±5°C
Soldering Time	3s max.

Document Revision History

Date	Revision	Changes
Apr.2, 2025	A.1.0	Last update
Nov.5, 2025	A.1.1	Add S&SLM package

Information furnished in this document is believed to be accurate and reliable. However, Jiangsu JieJie Microelectronics Co., Ltd. assumes no responsibility for the consequences of use without consideration for such information nor use beyond it. Information mentioned in this document is subject to change without notice, apart from that when an agreement is signed, Jiangsu JieJie complies with the agreement.

Products and information provided in this document have no infringement of patents. Jiangsu JieJie assumes no responsibility for any infringement of other rights of third parties which may result from the use of such products and information. This document supersedes and replaces all information previously supplied.

 is a registered trademark of Jiangsu JieJie Microelectronics Co., Ltd.

Copyright © 2025 Jiangsu JieJie Microelectronics Co., Ltd. All rights reserved.